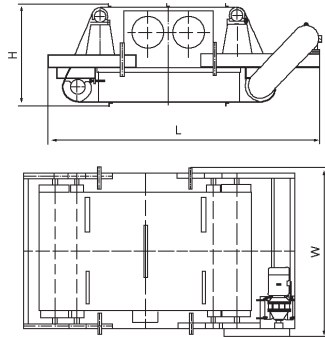


⋮

40



		mm	mm	mT	kw	kw	kw	m/s	mm L x W x H	kg
RCDZ2- 10	T1	1000	300	90	6.5	2 2x 1	3	5.8	3350x 1950x 1370	3950
	T2			120	9.5		3		3350x 1950x 1370	4300
	T3			150	15		4		3450x 1950x 1370	4550
RCDZ2- 12	T1	1200	350	90	9	2 2x 1	4		3350x 1950x 1370	4200
	T2			120	14		4		3350x 1950x 1370	4500
	T3			150	20		5.5		3500x 2165x 1370	6600
RCDZ2- 14	T1	1400	400	90	14	2 2x 1	4		3400x 2165x 1370	4520
	T2			120	20		5.5		3500x 2165x 1370	5760
	T3			150	29		5.5		3750x 2360x 1450	7560
RCDZ2- 16	T1	1600	450	90	18	2 2x 2	5.5		3500x 2165x 1370	5720
	T2			120	28		7.5		3750x 2360x 1450	7600
	T3			150	32		7.5		3950x 2550x 1500	8700
RCDZ2- 18	T1	1800	500	90	26	2 2x 2	7.5	3750x 2360x 1450	7750	
	T2			120	32		7.5	3950x 2550x 1500	8850	
	T3			150	40		11	4000x 2550x 1500	11600	
RCDZ2- 20	T1	2000	550	90	30	2 2x 2	11	3950x 2550x 1500	8950	
	T2			120	39		11	4000x 2550x 1500	11950	
	T3			150	41		11	4260x 2650x 1520	15000	
RCDZ2- 22	T1	2200	600	90	39	2 2x 2	11	4000x 2550x 1500	10950	
	T2			120	42		11	4250x 2600x 1500	15560	
	T3			150	45		15	4500x 2850x 1550	17800	
RCDZ2- 24	T1	2400	650	90	40	2 2x 2	15	4260x 2600x 1520	15200	
	T2			120	46		15	4500x 2850x 1550	18500	
	T3			150	54		15	4800x 3050x 1600	19600	

()

