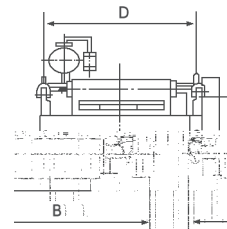
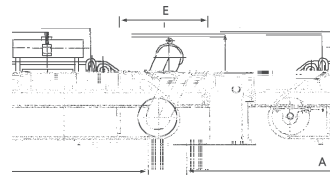
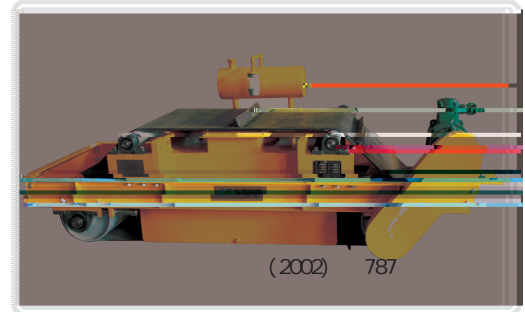


RCDF



RCDF :

	mm	h mm	mT	mm	kw	kw	m/s	kg	mm				
									A	B	C	D	E
RCDF- 5	500	150	60	100	1.2	1.5	4.5	1100	1980	1120	1020	650	1050
RCDF- 6	600	175	60	130	1.8	1.5		1500	2140	1270	1070	700	1170
RCDF- 6.5	650	200	70	150	2	2.2		1800	2270	1380	1080	750	1270
RCDF- 8	800	250	70	200	3	2.2		2500	2650	1570	1100	810	1420
RCDF- 10	1000	300	70	250	4.5	3		3550	2960	1620	1200	810	1580
RCDF- 12	1200	350	70	300	6	4		4650	3250	1950	1300	940	1780
RCDF- 14	1400	400	70	350	8.5	4		6290	3550	2190	1400	940	1950
RCDF- 16	1600	450	70	400	12.5	5.5		7770	3650	2210	1250	940	2180
RCDF- 18	1800	500	70	450	18	7.5		8900	3950	2400	1500	940	2315

RCDF- T : ()

		mm	h mm	mT	KW	kw	m/s	mm			kg
								L	W	H	
RCDF- 10	T1	1000	300	90	7.5			2960	1620	1080	
	T2			120	12.5			3010	1650	1140	
	T3			150	16.5			3250	1950	1200	
RCDF- 12	T1	1200	350	90	10.0			3250	1950	1250	
	T2			120	14.0			3250	1950	1300	
	T3			150	21.0			3550	2190	1300	
RCDF- 14	T1	1400	400	90	14.0			3600	2190	1350	
	T2			120	18.0			3600	2190	1420	
	T3			150	26.0			3650	2210	1450	9 8 7 1
RCDF- 16	T1	1600	450	90	15.0		3650	2210	1450	7600	
	T2			120	22.0		3650	2250	1460	9370	
	T3			150	32.0		3950	2400	1450	10970	
RCDF- 18	T1	1800	500	90	19.0		3650	2250	1460	9870	
	T2			120	28.0		3950	2400	1500	13950	
	T3			150	38.0		4000	2400	1670	15920	
RCDF- 20	T1	2000	550	90	24.0		4460	2500	1600	14400	
	T2			120	32.0		4460	2500	1670	17700	
	T3			150	45.0		4460	2500	1710	20900	
RCDF- 22	T1	2200	600	90	28.0		4900	2610	1700	17900	
	T2			120	36.0		4900	2610	1730	21840	
	T3			150	52.0		4900	2610	1760	25930	
RCDF- 24	T1	2400	650	90	32.0		5300	2870	1800	22650	
	T2			120			5300	2870	1850	27820	
	T3			150			5300	2870	1960	32100	