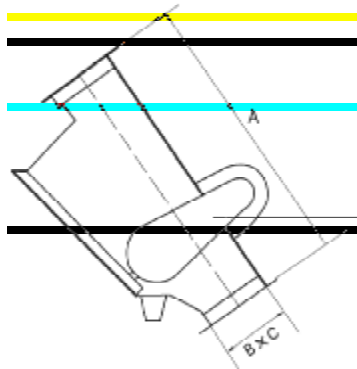


RCGZ ! " # \$ % & ' (



适用范围:



设备特点:

! " # \$ % & ' () * + , - . / * 0 1 2 3 4 5 6 7 8 9 : ; 3 < = > ? @ A B C D E F G H I J K L M N O P N + Q M N R S T U V

& ' S % ()	* + , - T/h	. / 0 1 2 3 A 4 B 4 C mm	. / 5 6 7 8 Pa	* + 9 :	< = > ?	* + @ : mm	A B C Kw	; - kg
RCGZ- 3	100	1450 4 350 4 350	K - 50	55D E 65D	F G H I	J 25	0.55	350
RCGZ- 4	150	1450 4 450 4 350					0.55	550
RCGZ- 5	200	1450 4 500 4 500					0.55	780
RCGZ- 6	400	1600 4 800 4 500					0.75	1100
RCGZ- 7	600	1600 4 900 4 500					1.5	1800
RCGZ- 8	800	1800 4 1000 4 600					1.5	2300
RCGZ- 10	1000	1800 4 1200 4 650					1.5	2800

W: X Y Z [\] ^ _ ` E a b B c

([\])